

Thank you for your support of our products

INSTRUCTION MANUAL



FLYINGROBOT-550

AERIAL PTZ



The mark has been registered.

注册商标

MADE IN CHINA



Specifications

技术参数

Camcorders Span (拍摄机宽) : 4.5 in / 113 mm

Camcorders Height (拍摄机高) : 3.3in / 85mm

Camcorders weight (拍摄机重) : 0.65 lb / 300g

Tilt Angle (倾转角度) : 90°

AERIAL PTZ System

Requires: FLYINGROBOT-550 COPTER-- 1pc

配置要求: FLYINGROBOT-550 机架1套

3KG General Server 1pc

3kg 标准舵机1个

Mini Camcorders 1pc

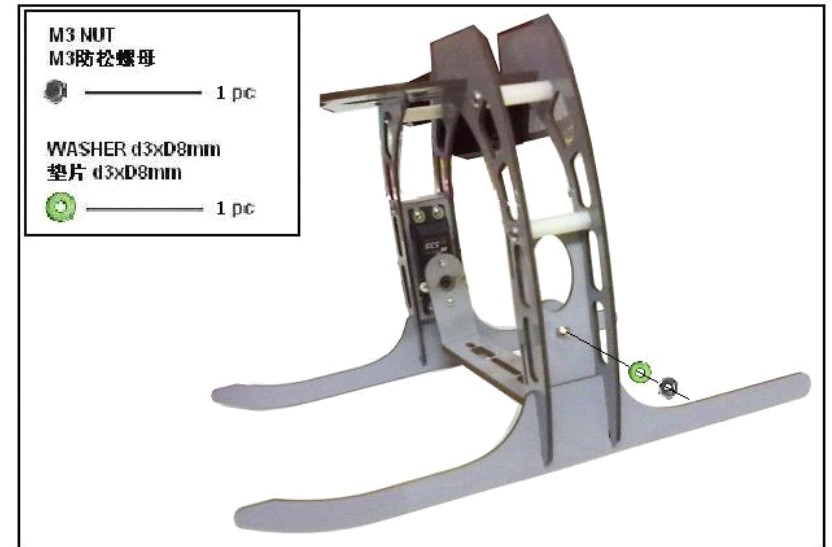
小型数码相机1台

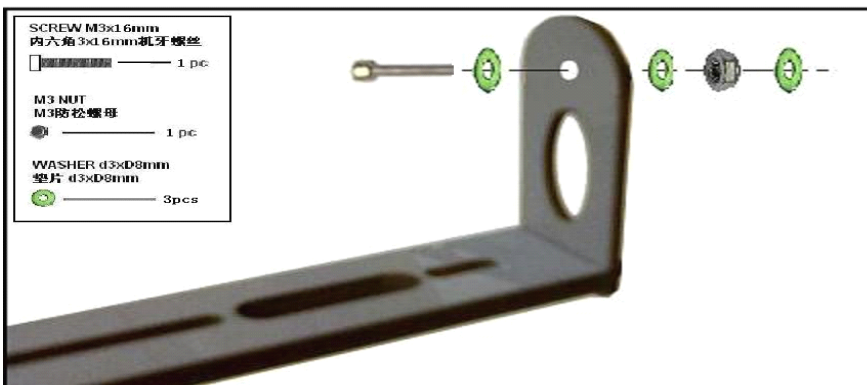
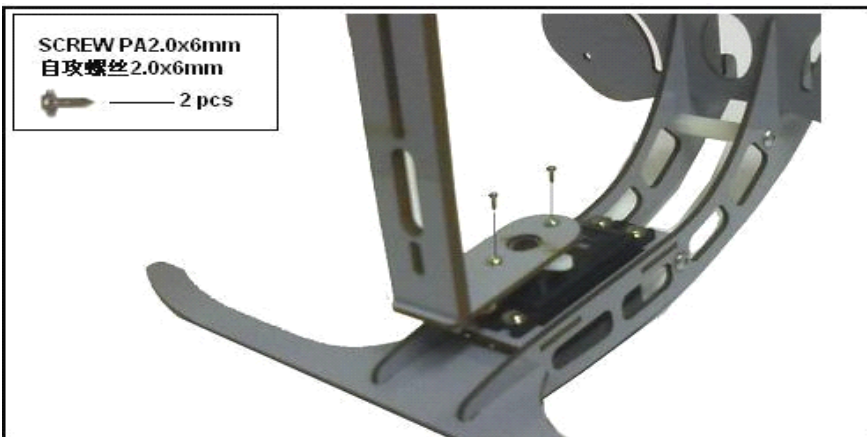
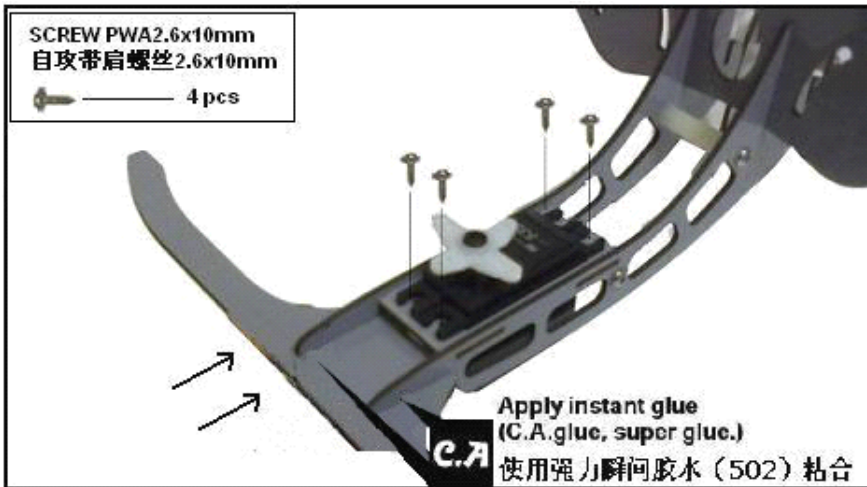
Warning ! This model is not a toy.

警告！这个模型不是一个玩具。

It is designed for maximum performance. Please seek advice if one is not familiar with this kind of electric powered cision model. Operating this model without prior preparation may cause injuries. Remember, safety is the most important thing. The manufacturer and/or its distributors assume no responsibility or liability whatsoever for any damages including but not limited to ones generated by incidental or consequential damages.

这是一个专业设计的高性能模型。如果对该类模型不熟悉，请向专业人士请教。若操作不当，该模型可能会造成人身伤害。切记，注意安全！制造厂商与其经销商都不对于所有的伤害，包含但是不局限于偶然或是连续发生的伤害负担任何责任。





P.4

INDEX

目录

BEFORE YOU BEGIN P.1

开始准备

PARTS LIST P.2

配件清单

ASSEMBLY P.3-P.5

安装操作

1. Read through the manual before you begin, so you will have an overall idea of what to do.

请仔细阅读手册，然后再开始，以确保您安装顺利。

2. Check all parts. If you find any defective or missing parts contact your local dealer.

请检查所有部件。如果您发现任何缺陷或缺少的部分，请联系您当地的经销商。

3. Symbols used throughout this instruction manual comprise of the following.

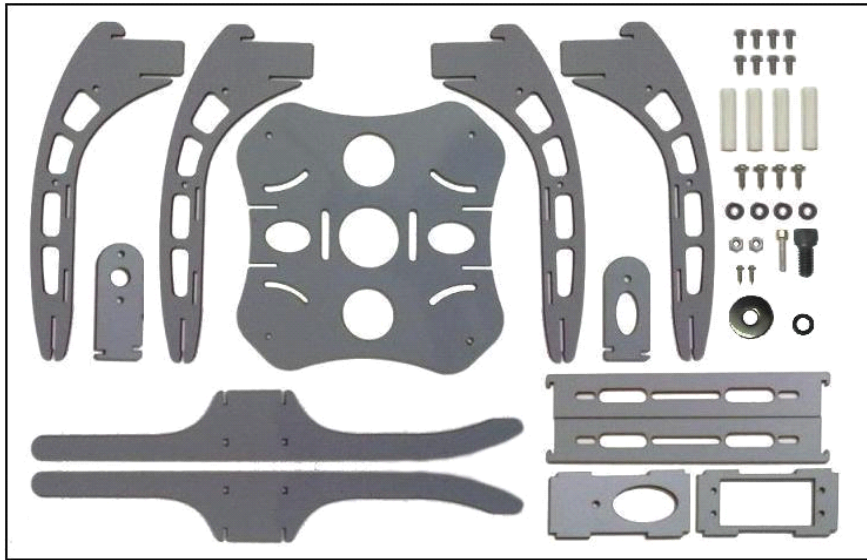
本说明书中使用的符号包括以下



Apply instant glue
(C.A.glue, super glue.)

使用强力瞬间胶水(502)粘合

P1



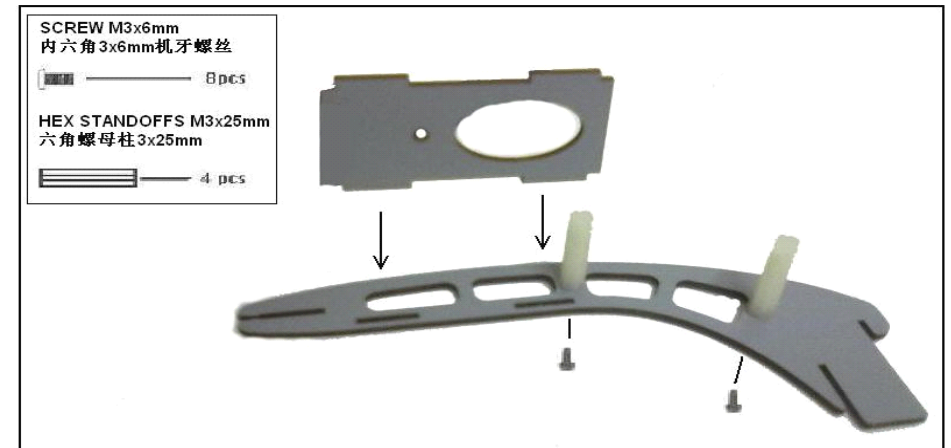
- | | |
|--|----------------|
| 1.SCREW PWA2.6x10mm -- 4 pcs | 自攻带肩螺丝2.6x10mm |
| 2.SCREW PA2.0x6mm -- 2 pcs | 自攻螺丝2.0x6mm |
| 3.SCREW M3x16mm -- 1 pc | 内六角3x16mm机牙螺丝 |
| 4.SCREW M3x6mm -- 8 pcs | 内六角3x6mm机牙螺丝 |
| 5.HEX STANDOFFS M3x25mm-- 4 pcs | 六角螺母柱3x25mm |
| 6.M3 NUT -- 2pcs | M3 防松螺母 |
| 7.WASHER d3xD8mm -- 4 pcs | M3 垫片 |
| 8. WASHER d6xD18mm -- 1pc | M6垫片 |
| 9.WASHER d6xD9mm -- 1pc | M6弹簧垫片 |
| 10. SCREW d1/4 x1/2 in --1pc | 1/4英制螺丝 |

P.2



Use cold water to immerse one minute.Tear protective film.

全部零件用冷水浸泡一分钟，然后撕去保护膜。



P.3